

PAULSTRACAB

Cabin mount

Natural frequency :
7 to 14 Hz



APPLICATIONS

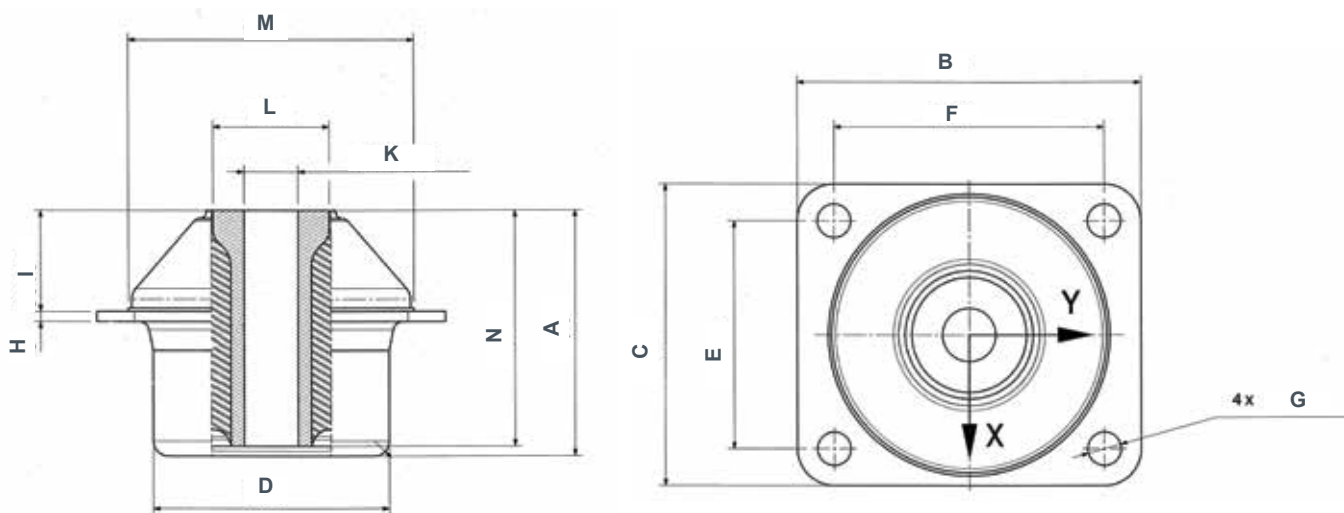
Anti-vibration and shockproof cabin mount dedicated to the cabin suspension of vehicles.

ADVANTAGES

- Comfort improvement
- Fail-safe assembly
- Tear resistance (EN ISO 3471 - ROPS)
- 480 hours protection against salt spray
- Differential stiffness in the three axes
- Withstand temperature -40 ° C / + 110 ° C (CALTHANE® mixture)

DIMENSIONS CHARACTERISTICS

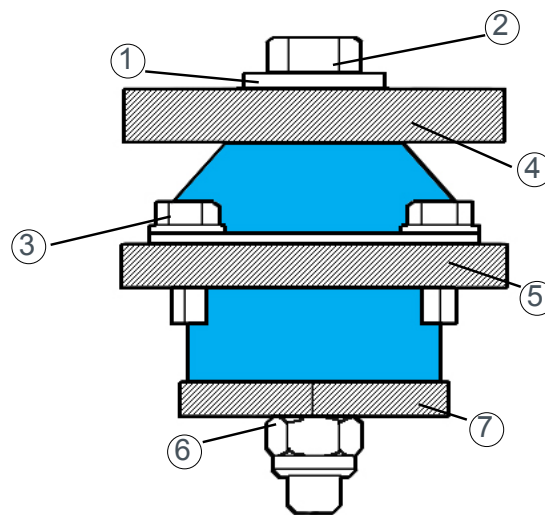
Reference	A (mm)	B (mm)	C (mm)	D Ø (mm)	E (mm)	F (mm)	G Ø (mm)	H (mm)	I (mm)	K Ø (mm)	M Ø (mm)	N (mm)
544453	75	105	92	71	69,5	82,5	10,2	3	30,5	16,25	86	71



OPERATING CHARACTERISTICS

Reference	Hardness	Load Range (daN)	Deflection max (mm)	Color
544453	45	200-450	7	Yellow & White
544453	50	225-500	6	Yellow & Green
544453	55	250-550	5	Green & White
544453	60	325-775	4	Green & Blue

ROPS MOUNTING



Elements not provided

- | | |
|---|----------------------------------|
| ① Washer HR 16.5 x 40 x 4 | ④ Cabin structure thickness 15 |
| ② Screw H M16x1.5 class 10.9 and long = 110mm | ⑤ Frame thickness. 12 mm in S335 |
| ③ Screw H EMB M10x1.5 class 10.9 and long = 20 mm | ⑥ Nut H FR M16x1.5 class 10 |
| | ⑦ Bounce washer thickness 10 mm |